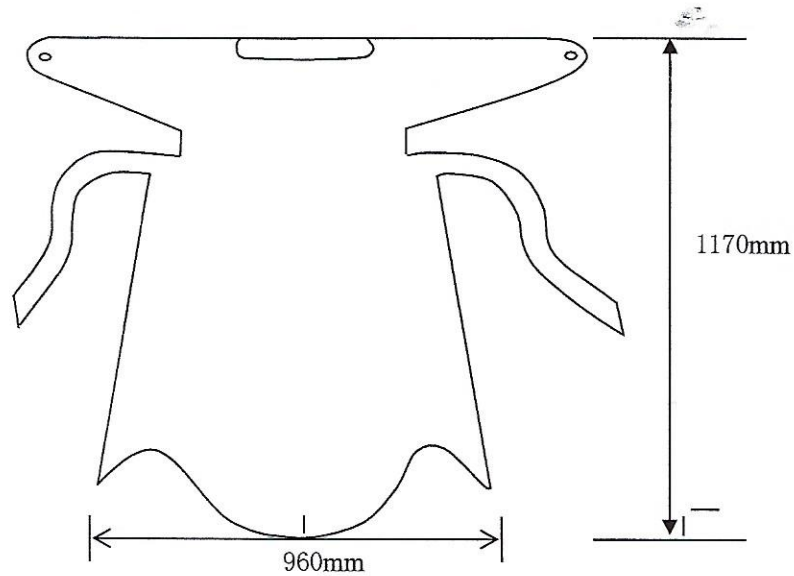


Product Specification



- | | | |
|-----------------------|---|---|
| 1. Product Code | : | 26I-CPEG-BLUE |
| 1. Product | : | CPE Thumb Gown |
| 2. Material | : | Cast Polyethylene |
| 3. Texture | : | Embossed Surface |
| 4. Usage | : | For Single Use Only |
| 5. Colour | : | Light Blue |
| 6. Packaging | : | 1 pc/folded
25 folds/polybag
12 polybags/carton |
| 7. Product Dimension | : | <u>Width (mm)</u> <u>Length (mm)</u>
960 1170 |
| 8. Thickness | : | 0.025mm |
| 9. Carton Measurement | : | 40 x 30 x 38cm (Approximate) |
| 10. Net Weight | : | 13.30 KG/Carton |
| 11. Tolerance | : | +/- 5% |
| 12. Quality Assurance | : | ISO9001:2015 certified by SGS |