



- Quality
- Value
- Service

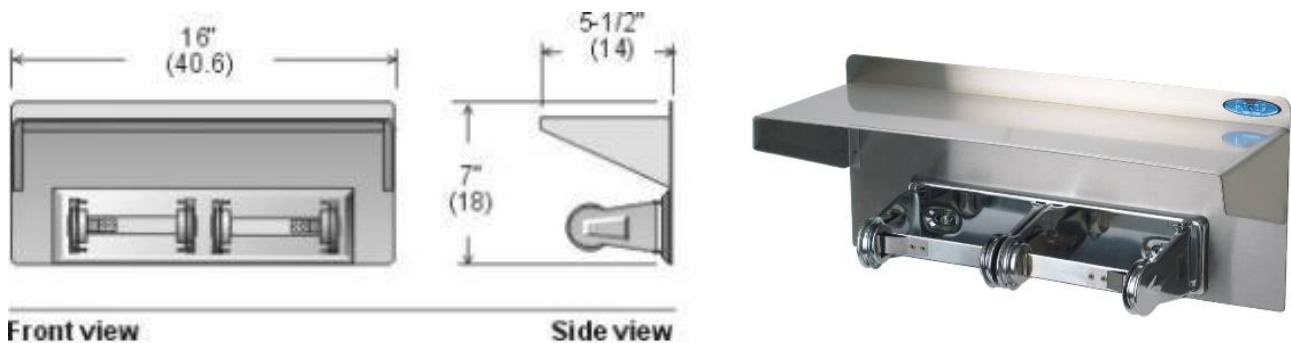
**Tech  
Reference**

*Hygienic Solutions at Work*

## Roll Toilet Tissue Dispenser with Shelf

**Code 158-10:** Double roll, stainless steel, type 304 number 4 finish.

[Download PDF](#)



### Specifications:

**Site Location:** Shelf unit provides a convenient area for users to place articles such as bags or purses.

**Dispensing:** Dispenses all standard toilet tissue rolls including 4.2" x 4.5", 500 sheet rolls.

**Features:** New rounded safety edge detailing.

Shelf and back formed from 22 gauge stainless steel no. 4 brushed finish.

Comes complete with double roll toilet tissue dispenser.

Toilet tissue dispenser has concealed locking device

Dispenser finish is polished chrome (see [Code 150](#) Tech Ref. Sheet).

**Shipping Weight:** 5 lbs., (2.25 kg)

**Installation:** For unrestricted access, bottom of dispenser to floor should not exceed 44" (111.7).  
Mounting screws provided.

Description and specifications applicable on date issued. Frost reserves the right to make improvements or changes without notice.