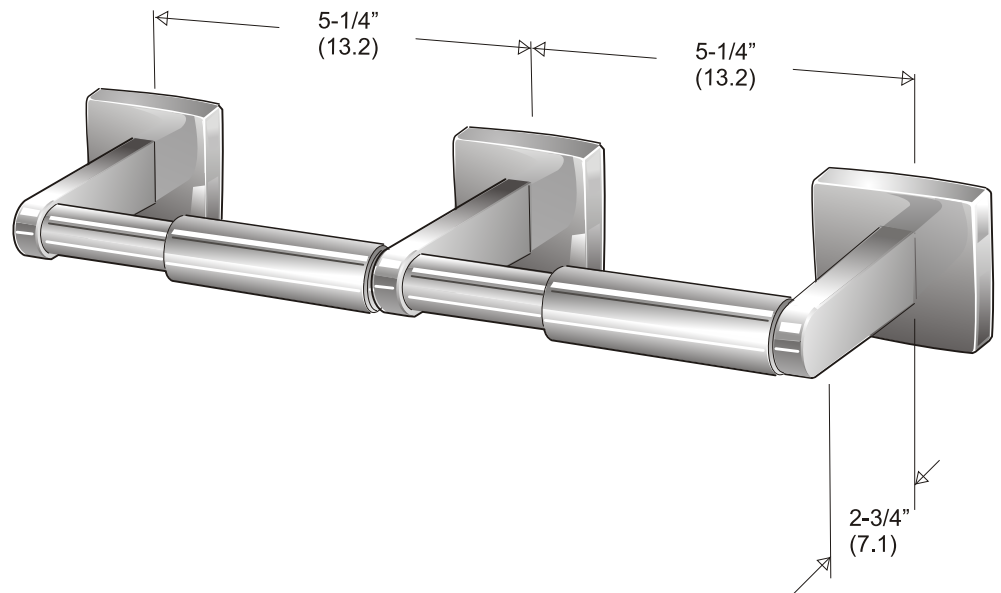


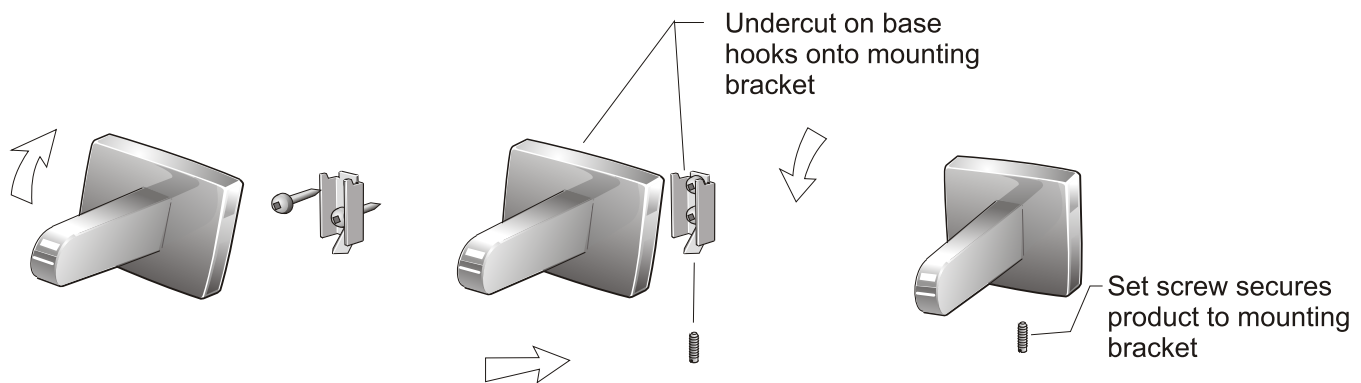


Washroom Accessories, Surface Toilet Paper Holder, Double

Code 1135 DBL SS: Stainless Steel



Mounting of Product



Screw concealed mounting system: The mounting bracket is attached to the wall with screws at the desired height. The unit is then hooked onto the bracket. When the set screw is tightened the product is firmly secured to the wall. The set screw applies pressure to an inclined surface on the bracket this provides a rattle free and integral mounting of the product. (mounting bracket and screws provided).

Specifications

- Material:**
- Type 304 stainless steel no. 4 finish.
- Features:**
- Concealed mounting.
 - Will take jumbo rolls 5" (12.6 cm) in dia..



Spécifications

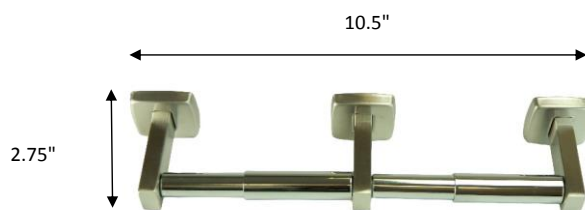
Numéro du produit : 1135

Solutions Hygiéniques Au Travail

DISTRIBUTEUR DE PAPIER HYGIÉNIQUE EN APPLIQUE

Code 1135-S: Acier inoxydable

Code 1135-DBLS: Acier inoxydable, double distributeur



Caractéristiques:

Matériau :

Acier inoxydable 304, fini n° 4

Caractéristiques :

Fixation dissimulée.

Peut contenir des rouleaux de 5" (12,6 cm) de diamètre.