



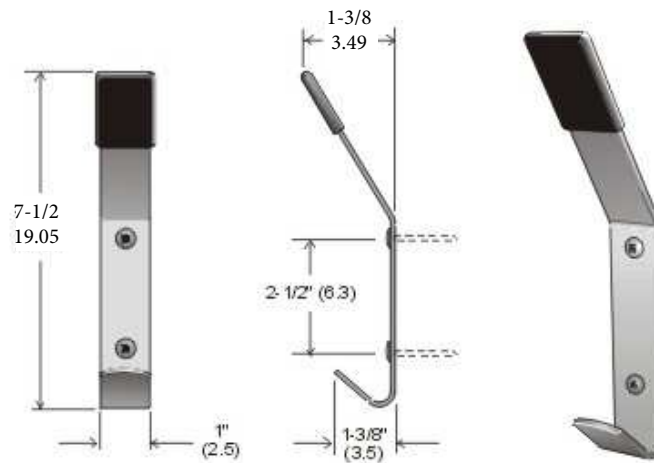
- Quality
- Value
- Service

**Tech  
Reference**

---

## Coat Hooks

**Code 1146B:** Surface mounted single hook with bumper, Stainless Steel



### Specifications:

The code 1146B has a vinyl covered protective end to help prevent scratching when mounted to doors or in the path of door swings.

**Materials:** Hooks are fabricated from 12 gauge (.1") thick solid stainless steel. All stainless shall be type 304 with no. 4 brushed finish. Ends are radiused with all edges deburred.

**Shipping Weight:** 1/4 lb. (100 grams)

**Installation:** Single hook mounting hole centres 2.5" c-c (63.5 mm). Pan socket head SS mounting screws provided. For unrestricted access, top of coat hook to floor does not exceed 48" (120).

---

Description and specifications applicable on date issued. Frost reserves the right to make improvements or changes without notice.



# Spécifications

Numéro du produit : 1146, 1147

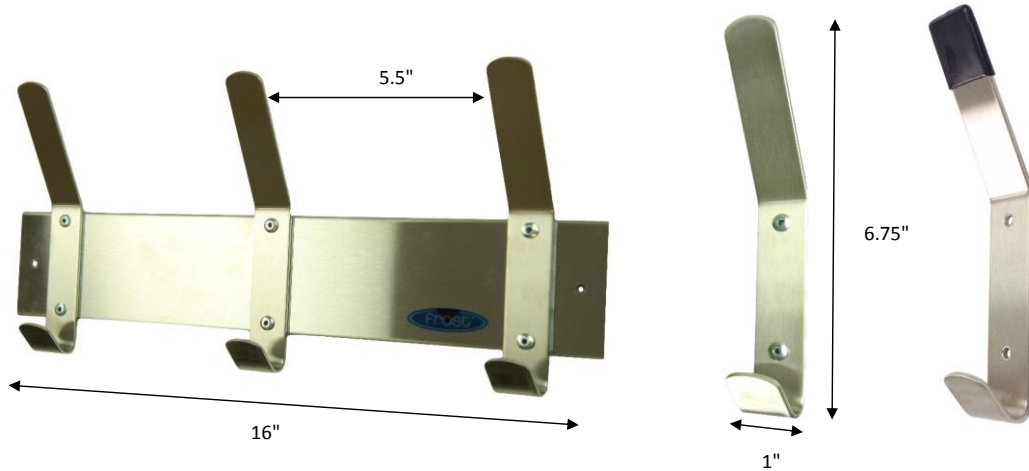
## Solutions Hygiéniques Au Travail

### PORTEMANTEAUX

**Code 1146:** Patère simple, acier inoxydable

**Code 1146-B:** Patère simple, acier inoxydable, avec pare-chocs

**Code 1147:** Portemanteau à 3 patères, acier inoxydable



### Caractéristiques:

**Matériau :** Acier inoxydable 304, fini n° 4

Les patères sont en acier inoxydable massif de calibre 12 (0,1 po). Le bec du crochet a un rayon de 2,54 cm (1 po) avec les bords ébavurés. Le support est en acier inoxydable de cal. 20.